

# ULTIMA+ OP

[www.armstrong.eu](http://www.armstrong.eu)

**Armstrong**<sup>®</sup>

# ULTIMA+ OP

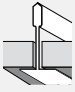
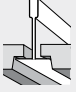
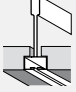
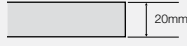
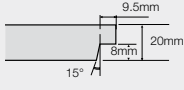
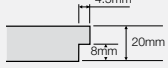


Recycled Content

Light Reflectance

Concentration

## ULTIMA+ OP

|                    | BOARD   | TEGULAR  | MICROLOOK 90   |
|--------------------|---|--|--|
|                    |  |   |                       |
|                    | Prelude XL <sup>2</sup> /TLX 24 mm<br>Prelude Sixty <sup>2</sup>                  | Prelude XL <sup>2</sup> /TLX 24 mm<br>Prelude Sixty <sup>2</sup>                   | Prelude XL <sup>2</sup> /TL 15 mm<br>Interlude XL <sup>2</sup> 15 mm<br>Silhouette XL <sup>2</sup> 15 mm |
|                    |  |  |                       |
| 600 x 600 x 20 mm  | 7682 M  | 7678 M   | 7685 M   |
| 625 x 625 x 20 mm  | 7682 D  | 7678 D   | 7685 D   |
| 675 x 675 x 20 mm  | 7683 M  | 7679 M   | 7686 M   |
| 600 x 1200 x 20 mm | 7684 M  | 7680 M   | 7687 M   |



EN ISO 354 & EN ISO 11654

| $\alpha_w$ | NRC  | 125  | 250  | 500  | 1000 | 2000 | 4000 | Hz | $\alpha_p$ |
|------------|------|------|------|------|------|------|------|----|------------|
| 1.00       | 0.95 | 0.40 | 0.80 | 1.00 | 0.95 | 1.00 | 1.00 |    |            |

Sound Absorption Class = A



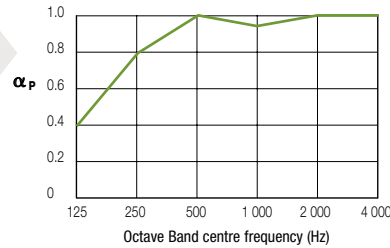
EN ISO 10848-2 & EN ISO 717-1

|           |       |
|-----------|-------|
| $D_{nfw}$ | 25 dB |
|-----------|-------|



EN ISO 140-3 & EN ISO 717-1

|       |       |
|-------|-------|
| $R_w$ | 10 dB |
|-------|-------|



|            |                     |
|------------|---------------------|
| EEA        | Euroclass A2-s1, d0 |
| EN 13501-1 |                     |

|        |                      |
|--------|----------------------|
| RUS    | KM1 (G1, V1, D1, T1) |
| FZ 123 |                      |



EN 12667 & ISO 8301

$\lambda = 0.037 \text{ W/m K}$



95 % RH



ISO 14644-1

ISO 5



15 YEAR guarantee



30 YEAR system guarantee



$\approx 3.7 \text{ kg/m}^2$



Please contact our Armstrong Technical Sales Group for further details.

[www.armstrong.eu](http://www.armstrong.eu)



**Armstrong®**